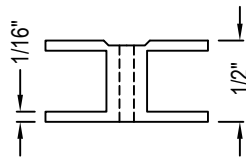
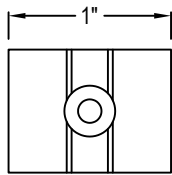
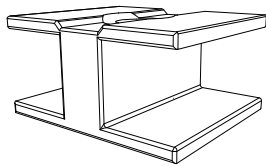


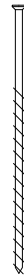
SELECT DESIRED HARDWOOD SIDING:

- IPE
- CUMARU
- MASSARANDUBA
- TIGERWOOD
- GARAPA

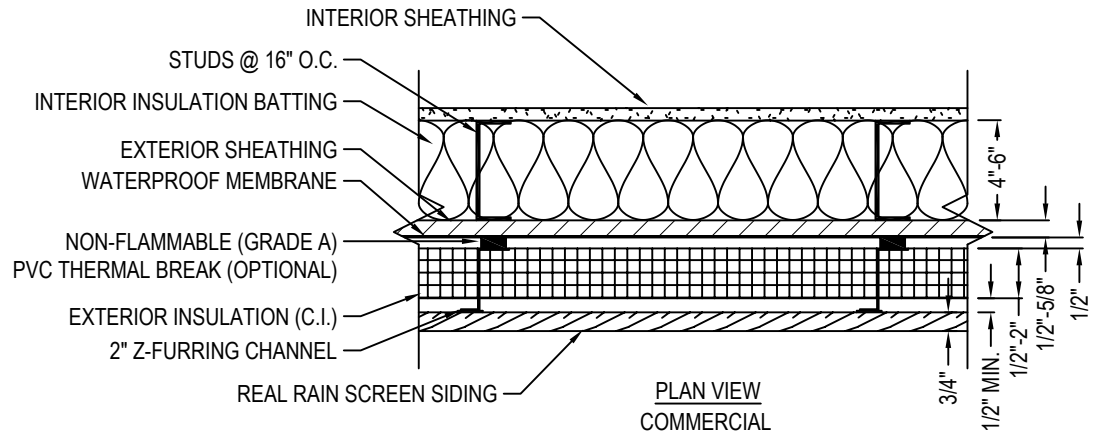


DETAIL A

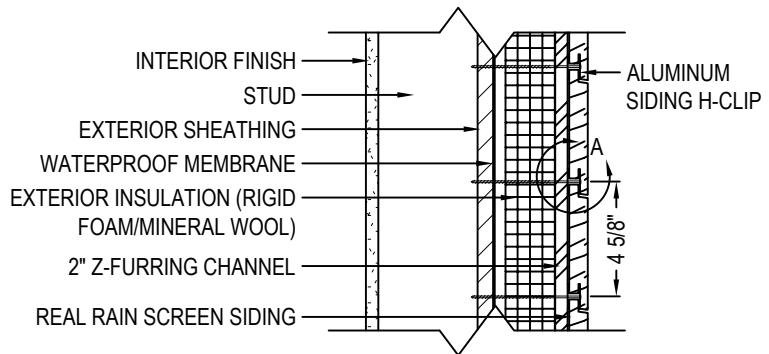
ALUMINUM HIDDEN H-CLIP
 599 MAGNI-COATED



SELF-TAPPING SCREW
 #8 SQUARE DRIVE,
 599 MAGNI-COATED



PLAN VIEW
COMMERCIAL

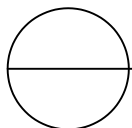


CROSS SECTION
COMMERCIAL

MANUFACTURER NOTES:

1. VERTICAL FURRING STRIPS CAN BE CENTER-RIPPED PRESSURE TREATED 1X4 OR FIRE RESISTANT (GRADE A) PVC (THERMAL BREAK).
 NOTES:

1. INSTALLATION TO BE COMPLETED IN ACCORDANCE WITH MANUFACTURER'S SPECIFICATIONS.
2. DO NOT SCALE DRAWING.
3. THIS DRAWING IS INTENDED FOR USE BY ARCHITECTS, ENGINEERS, CONTRACTORS, CONSULTANTS AND DESIGN PROFESSIONALS FOR PLANNING PURPOSES ONLY. THIS DRAWING MAY NOT BE USED FOR CONSTRUCTION.
4. ALL INFORMATION CONTAINED HEREIN WAS CURRENT AT THE TIME OF DEVELOPMENT BUT MUST BE REVIEWED AND APPROVED BY THE PRODUCT MANUFACTURER TO BE CONSIDERED ACCURATE.
5. CONTRACTOR'S NOTE: FOR PRODUCT AND COMPANY INFORMATION VISIT www.CADdetails.com/info AND ENTER REFERENCE NUMBER 5376-004.



REAL RAINSCREEN SIDING (FOR METAL STUDS)

COMMERCIAL APPLICATION: TYPICAL PLAN AND SECTION VIEW