

SELECT DESIRED DECK SIZE:

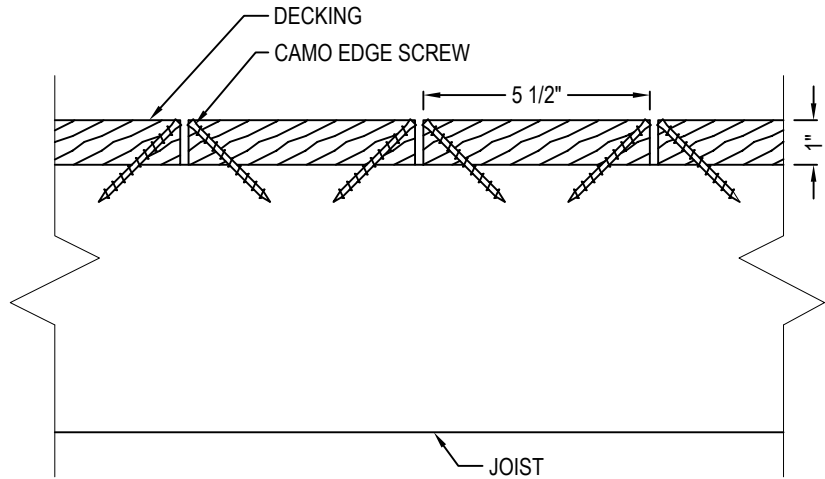
- 1" X 6"
- 5/4" X 6" (SHOWN)
- 1" X 4"
- 1" X 8"
- 1" X 2"

SELECT DESIRED HARDWOOD SIDING:

- IPE
- CUMARU
- MASSARANDUBA
- TIGERWOOD
- GARAPA

SELECT DESIRED EDGE SCREW:

- 2 3/8"
- 1 7/8"



SECTION
EDGE SCEWS



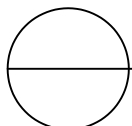
CAMO EDGE SCREW
PROTECH COATED

MANUFACTURER NOTES:

1. INSTALLATION AND CONTRACTOR NOTES CAN BE FOUND AT WWW.BWDEPOT.COM

NOTES:

1. INSTALLATION TO BE COMPLETED IN ACCORDANCE WITH MANUFACTURER'S SPECIFICATIONS.
2. DO NOT SCALE DRAWING.
3. THIS DRAWING IS INTENDED FOR USE BY ARCHITECTS, ENGINEERS, CONTRACTORS, CONSULTANTS AND DESIGN PROFESSIONALS FOR PLANNING PURPOSES ONLY. THIS DRAWING MAY NOT BE USED FOR CONSTRUCTION.
4. ALL INFORMATION CONTAINED HEREIN WAS CURRENT AT THE TIME OF DEVELOPMENT BUT MUST BE REVIEWED AND APPROVED BY THE PRODUCT MANUFACTURER TO BE CONSIDERED ACCURATE.
5. CONTRACTOR'S NOTE: FOR PRODUCT AND COMPANY INFORMATION VISIT www.CADdetails.com/info AND ENTER REFERENCE NUMBER 5376-011.



EXTERIOR DECKING

DECK FASTENING WITH EDGE SCREWS