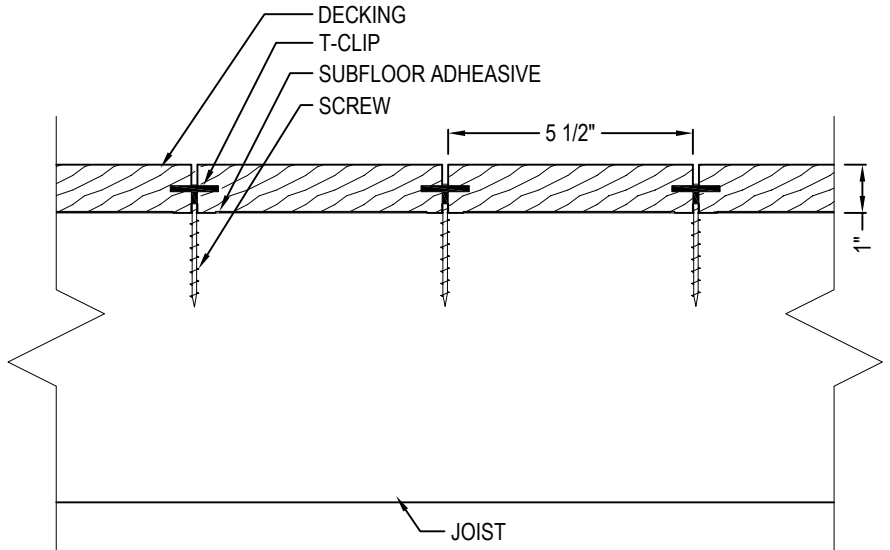


SELECT DESIRED DECK SIZE (NOMINAL):

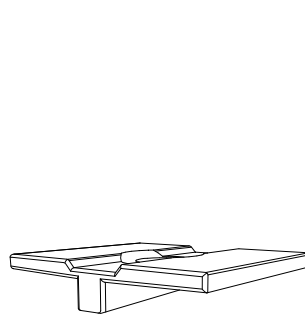
- 1" X 6"
- 5/4" X 6" (SHOWN)
- 1" X 4"
- 1" X 8"
- 1" X 2"

SELECT DESIRED HARDWOOD SIDING:

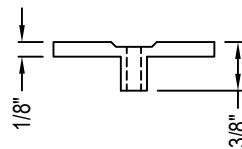
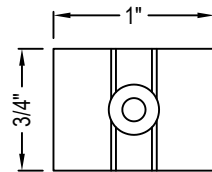
- IPE
- CUMARU
- MASSARANDUBA
- TIGERWOOD
- GARAPA



SECTION  
HIDDEN CLIPS



T-CLIP PERSPECTIVE



DETAIL  
SELF SPACING ALUMINUM T-CLIP  
599 MAGNI-COATED



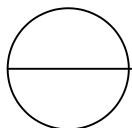
SELF-TAPPING SCREW  
#8 SQUARE DRIVE,  
599 MAGNI-COATED

MANUFACTURER NOTES:

1. INSTALLATION AND CONTRACTOR NOTES CAN BE FOUND AT [WWW.BWDEPOT.COM](http://WWW.BWDEPOT.COM) OR BY CONTACTING BRAZILIAN WOOD DEPOT.

NOTES:

1. INSTALLATION TO BE COMPLETED IN ACCORDANCE WITH MANUFACTURER'S SPECIFICATIONS.
2. DO NOT SCALE DRAWING.
3. THIS DRAWING IS INTENDED FOR USE BY ARCHITECTS, ENGINEERS, CONTRACTORS, CONSULTANTS AND DESIGN PROFESSIONALS FOR PLANNING PURPOSES ONLY. THIS DRAWING MAY NOT BE USED FOR CONSTRUCTION.
4. ALL INFORMATION CONTAINED HEREIN WAS CURRENT AT THE TIME OF DEVELOPMENT BUT MUST BE REVIEWED AND APPROVED BY THE PRODUCT MANUFACTURER TO BE CONSIDERED ACCURATE.
5. CONTRACTOR'S NOTE: FOR PRODUCT AND COMPANY INFORMATION VISIT [WWW.CADDETAILS.COM/INFO](http://WWW.CADDETAILS.COM/INFO) AND ENTER REFERENCE NUMBER 5376-010.



## EXTERIOR DECKING

DECK FASTENING WITH HIDDEN EDGE CLIPS